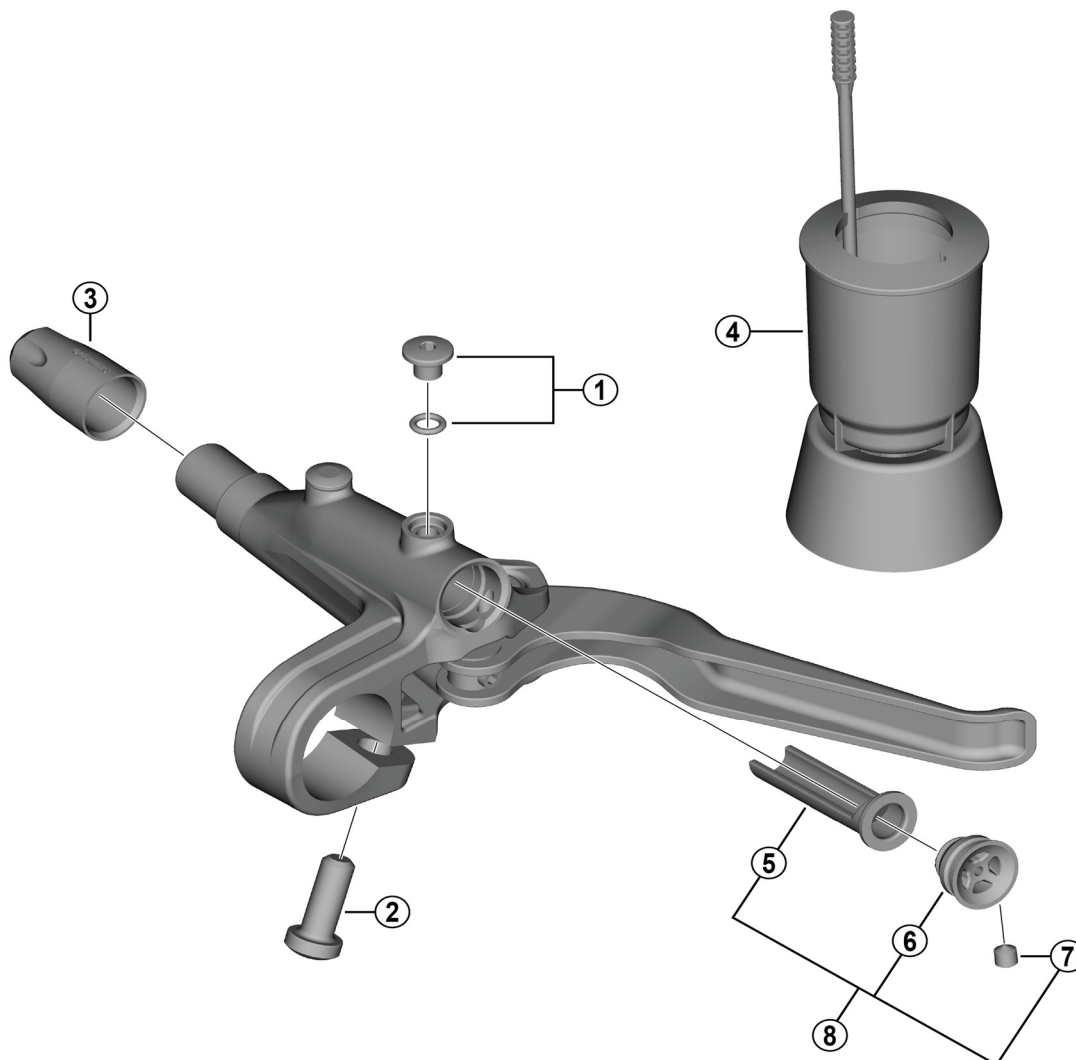


Brake Lever (for Disc Brake)

BL-MT401 BL-MT401-3A

BL-MT402-3A



ITEM NO.	SHIMANO CODE NO.	DESCRIPTION
1	Y8RM98010	Bleed screw and O-ring
2	Y6TP12000	Clamp screw (M6 x 16)
3	Y8WM14000	Cover
* 4	Y13000100	TL-BR003 Funnel unit for M5 screw
* 5	Y8RM9801T	Diaphragm for BL-MT402-3A / BL-MT401-3A
* 5	Y8V39801T	Diaphragm for BL-MT401
* 6	Y1XW9802T	Cap
* 7	Y1XW9803T	Fixing screw
* 8	Y2GR98020	Diaphragm unit for BL-MT402-3A / BL-MT401-3A

Sep.-2022-4543A
© Shimano Inc. I

Specifications are subject to change without notice.

SHIMANO